

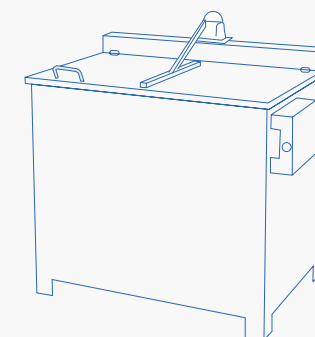


**Wissekerke**

Techniek B.V.

Nijverheidsweg 20 3251 LP Stellendam tel.: (0)187 - 490 290  
Postbus 7 3253 ZG Ouddorp fax: (0)187 - 490 299  
E-mail: [info@wissekerke.nl](mailto:info@wissekerke.nl) [www.wissekerke.nl](http://www.wissekerke.nl)

Authorized dealer



## VASCHE DI LAVAGGIO

WASHING TANKS  
BACS DE LAVAGE  
WASCHBEHÄLTER

Made in Italy 

## VASCA DI LAVAGGIO PNEUMATICA

PNEUMATIC WASHING TANK  
BAC DE LAVAGE PNEUMATIQUE  
PNEUMATISCHER WASCHBEHÄLTER



**ART.** | 165 | 730 mm | 900 mm | 600 mm | 150 kg | 200 kg | 8 bar | 100

**ART. 165**

 Portata • Capacity • Capacité • Belastbarkeit des Innenrosts

 Quantità liquido • Fluid quantity • Quantité de liquide • Flüssigkeitsmenge

 Pressione di utilizzo • Feeding pressure • Pression d'alimentation • Benötigter Luftdruck

\*Dimensioni vano • Room dimensions • Dimensions de la chambre • Ballenmaße.

## VASCA DI LAVAGGIO MANUALE

WASHING TANK  
BAC DE LAVAGE  
WASCHBEHÄLTER



|   |   |   |   |   |   |   |
|---|---|---|---|---|---|---|
|  |  |  |  |  |  |  |
| ART.<br><b>167</b>  | *<br>mm<br>550  | *<br>mm<br>800  | *<br>mm<br>500  | 100 kg  | 100 kg  | 50  |

ART. 167

 Portata • Capacity • Capacité • Belastbarkeit des Innenrosts

 Quantità liquido • Fluid quantity • Quantité de liquide • Flüssigkeitsmenge

\*Dimensioni vano • Room dimensions • Dimensions de la chambre • Ballenmaße.

**NOTE**

---

---

---

---

---

---

---

---

---

---

---

---

---

---

---

---

---

---

---

---

---

---

---

---

---

---

---