



YAK



SOLLEVATORI A CARRELLO TROLLEY JACKS

Ampia gamma composta da sollevatori idraulici manuali per vetture e mezzi pesanti e completata da sollevatori oleopneumatici specifici per i più svariati utilizzi.

A wide range which starts with manual hydraulic jacks for cars and heavy vehicles, and advances to air hydraulic jacks for many different applications.

Wissekerke

Nijverheidsweg 20 3251 LP Stellendam
Postbus 7 3253 ZG Ouddorp
E-mail: info@wissekerke.nl

Authorized dealer

Techniek B.V.

tel.: (0)187 - 490 290
fax: (0)187 - 490 299
www.wissekerke.nl

SOLLEVATORI IDRAULICI A CARRELLO HYDRAULIC TROLLEY JACKS

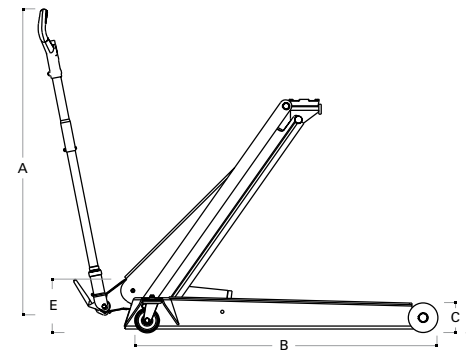


YAK 13/QL
YAK 20
YAK 20/Q
YAK 20/QL

| | Mod. | | | |
|--|-----------|--------|----------|-----------|
| | YAK 13/QL | YAK 20 | YAK 20/Q | YAK 20/QL |
| | • | | | |
| | • | • | • | • |
| | • | • | • | • |
| | • | • | • | • |
| | • | • | • | • |
| | • | • | • | • |
| | • | • | • | • |
| | • | • | • | • |

Sollevatori idraulici manuali carrellati. L'azionamento manuale della pompa avviene attraverso il movimento del manico. Sui modelli "Q" è presente inoltre l'avvicinamento rapido a pedale. Leggeri e maneggevoli, ideali per gommisti, officine e carrozzerie.

Manual hydraulic trolley jacks. The pump is manually operated by handle movement. The pedal control on "Q" models is used for a quick approach. Lightweight and easy to handle, ideal for tyre repairers, workshops and bodywork shops.



| | YAK 13/QL | YAK 20 | YAK 20/Q | YAK 20/QL |
|--------------------------|--------------------|--------------------|--------------------|--------------------|
| Portata Capacity | 1.3 t 1.4 ton | 2 t 2.2 ton | 2 t 2.2 ton | 2 t 2.2 ton |
| Peso netto Net weight | 38 kg 84 lb | 31 kg 68 lb | 31 kg 68 lb | 49 kg 108 lb |
| A | 950 mm 37.40 in | 950 mm 37.40 in | 950 mm 37.40 in | 950 mm 37.40 in |
| B | 940 mm 37.00 in | 660 mm 25.98 in | 660 mm 25.98 in | 950 mm 37.40 in |
| C | 80 mm 3.15 in | 80 mm 3.15 in | 80 mm 3.15 in | 80 mm 3.15 in |
| D | 735 mm 28.94 in | 495 mm 16.49 in | 495 mm 16.49 in | 795 mm 31.3 in |
| E | 160 mm 6.30 in | 160 mm 6.30 in | 160 mm 6.30 in | 220 mm 8.66 in |

